

Pressure Gauges / Differential Pressure Gauges / DG-CL 1,6 / CL 1,0 / DG100DLS1/Low Ranges

CONSTRUCTIVE PROPERTIES

	STANDARD	OPTIONAL
Mounting Type	Bottom Connection	See Technical Drawing
Scale Unit	mbar	-
Scale Range (PN)	0/25 0/40 0/60 0/100 0/160 0/250 0/400 0/600 0/1000	
Case	Stainless Steel AISI-304	-
Bezel	Stainless Steel AISI-304	-
Window	Safety Glass	-
Movement	Stainless Steel AISI-304	-
Wetted Parts	Stainless Steel AISI-316L	-
Connection	G 1/2" B	1/2" NPT
Dial	Aluminum	-
Pointer	Adjustable Aluminum	-
Welding	Special Welding	-

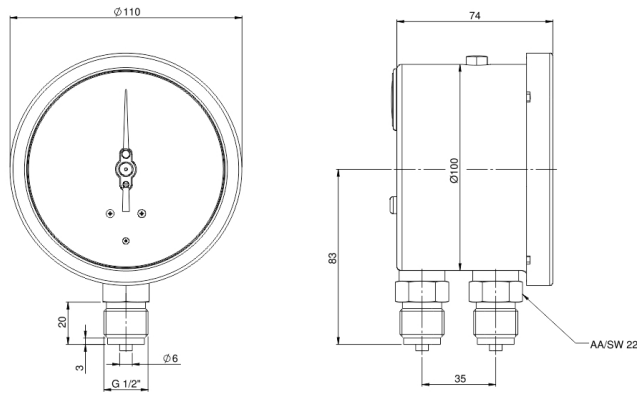


DG100DLS1-
Low Ranges

USAGE PROPERTIES

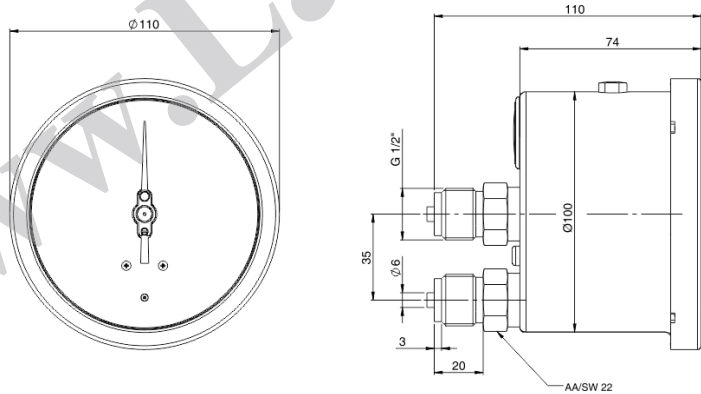
Fluid Temperature	Maximum + 100 °C	-
Ambient Temperature	- 20 ... + 60 °C	-
Operating Pressure (max.)	Full Scale Value x1,3	
Accuracy Class	CL 1.6	-
Protection Rate	IP 65	-
Optimum Operating Range	Between 0,0 x PN and 1,0 x PN	
Storage Temperature	-40 ... +70 °C	-
Conformity	EN 837 - 1	-
Mechanical Shock Test Load	15g	-

Pressure Gauges / Differential Pressure Gauges / DG-CL 1,6 / CL 1,0 / DG100DLS1/Low Ranges



Model No: DG100DLS1xx

Bottom Connection



Model No: DG100DLS2xx

Back Connection